



US006020653A

United States Patent [19]
Woodbridge et al.

[11] **Patent Number:** **6,020,653**
[45] **Date of Patent:** **Feb. 1, 2000**

[54] **SUBMERGED RECIPROCATING ELECTRIC GENERATOR**

[75] Inventors: **David D. Woodbridge**, Tampa;
Thomas C. Woodbridge, Satellite Beach, both of Fla.

[73] Assignee: **Aqua Magnetics, Inc.**, Satellite Beach, Fla.

[21] Appl. No.: **08/972,428**

[22] Filed: **Nov. 18, 1997**

[51] **Int. Cl.⁷** **F03B 13/12**

[52] **U.S. Cl.** **290/53; 290/42; 60/495**

[58] **Field of Search** 290/42, 43, 53,
290/54; 60/495, 497

[56] **References Cited**

U.S. PATENT DOCUMENTS

3,231,749	1/1966	Hinck, III	290/53
3,362,336	1/1968	Kafka	103/44
3,546,473	12/1970	Rich	290/42
3,696,251	10/1972	Last et al.	290/53
3,783,302	1/1974	Woodbridge	290/42
4,110,630	8/1978	Hendel	290/53
4,239,976	12/1980	Collard	290/42
4,260,901	4/1981	Woodbridge	290/42

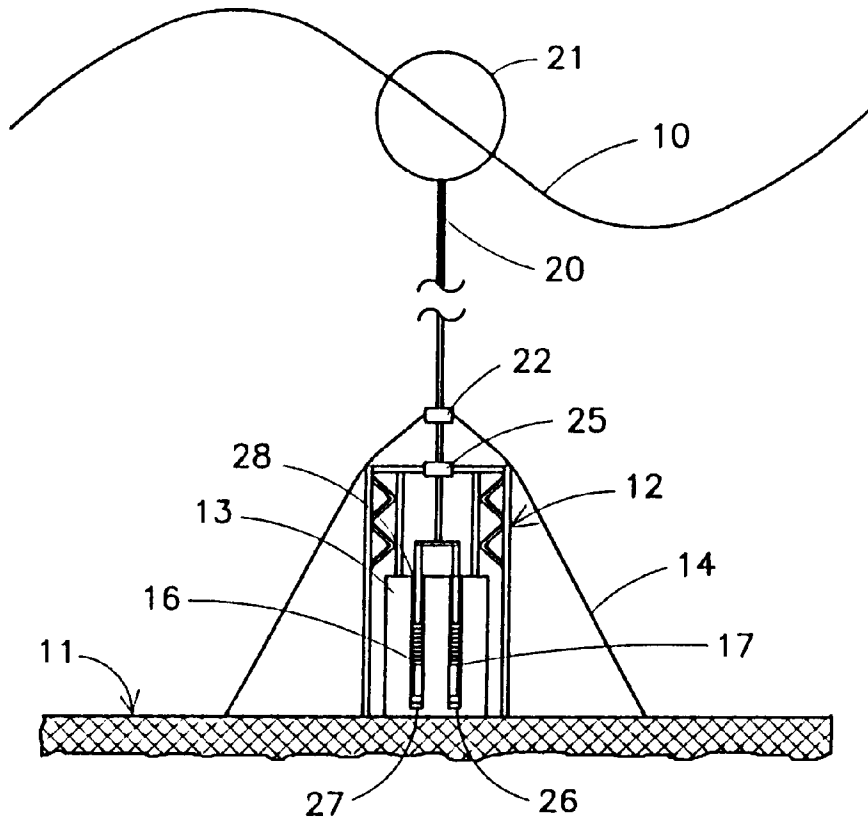
4,539,485	9/1985	Neuenschwander	290/53
4,631,921	12/1986	Linderfelt	60/501
5,136,173	8/1992	Rynne	290/53
5,411,377	5/1995	Houser et al.	417/333
5,696,413	12/1997	Woodbridge et al.	310/15

Primary Examiner—Nicholas Ponomarenko
Attorney, Agent, or Firm—William M. Hobby, III

[57] **ABSTRACT**

A submerged reciprocating electric generator is placed below the ocean surface and creates electric power from the surface ocean swells. The generator coil reciprocates linearly in response to an external force acting on a float by passing ocean swells. A cable connects the float on the ocean surface with the reciprocating coil of the submerged generator. A magnetic field is focussed through the coil as it reciprocates, creating an electromotive force in the coil. The magnetic field is created in such a manner as to provide uniform field of a single magnetic orientation throughout the entire length of motion of the reciprocating coil. The generator includes a base formed on the ocean floor supporting magnetic core having a generator coil movably mounted therein and connected to a float with a cable passing through cable alignment bearings. Electromagnetic windings are mounted at the closed end of the generator magnetic flux core.

11 Claims, 3 Drawing Sheets



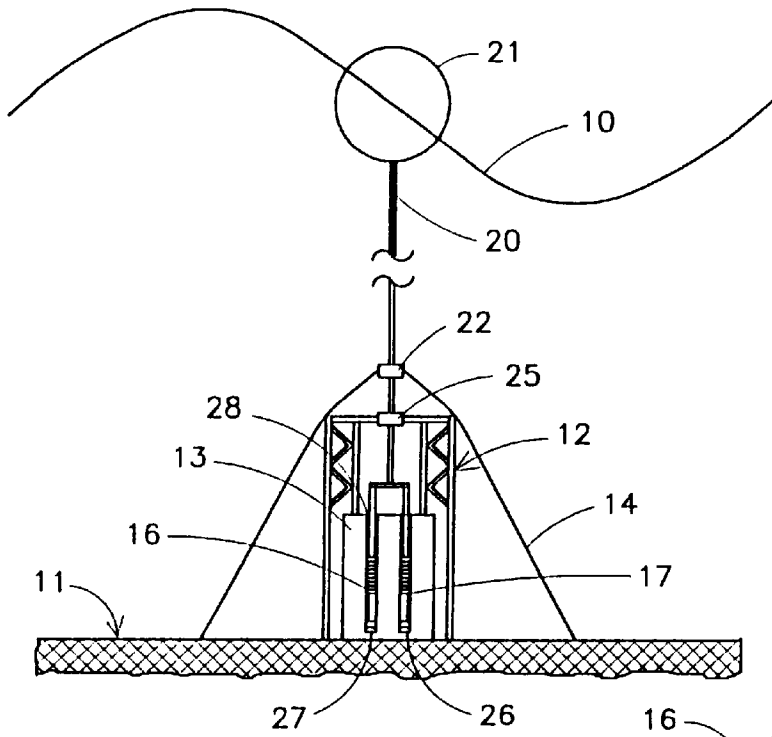


FIG. 1

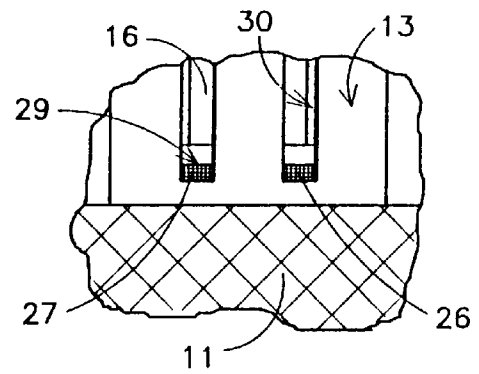


FIG. 2

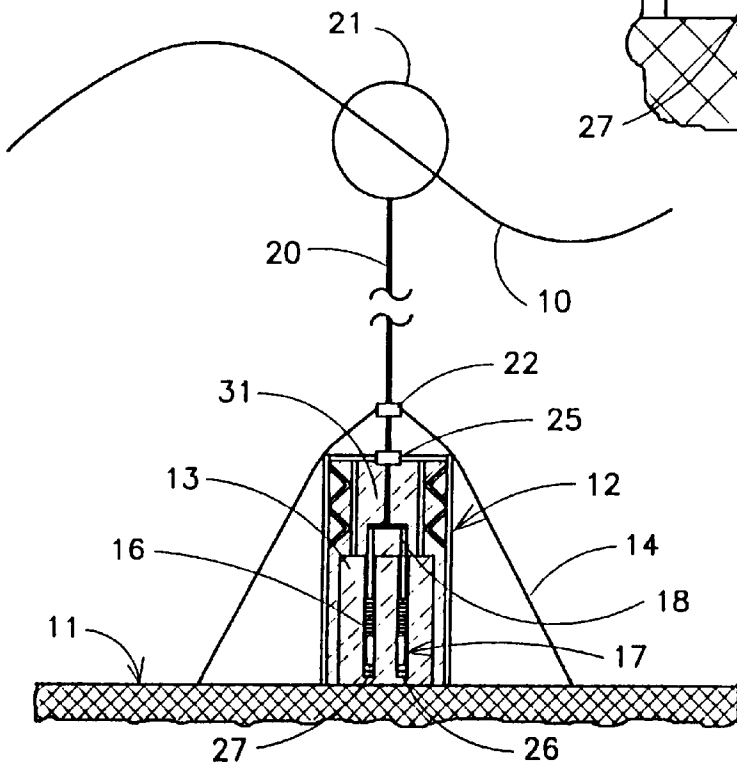


FIG. 3

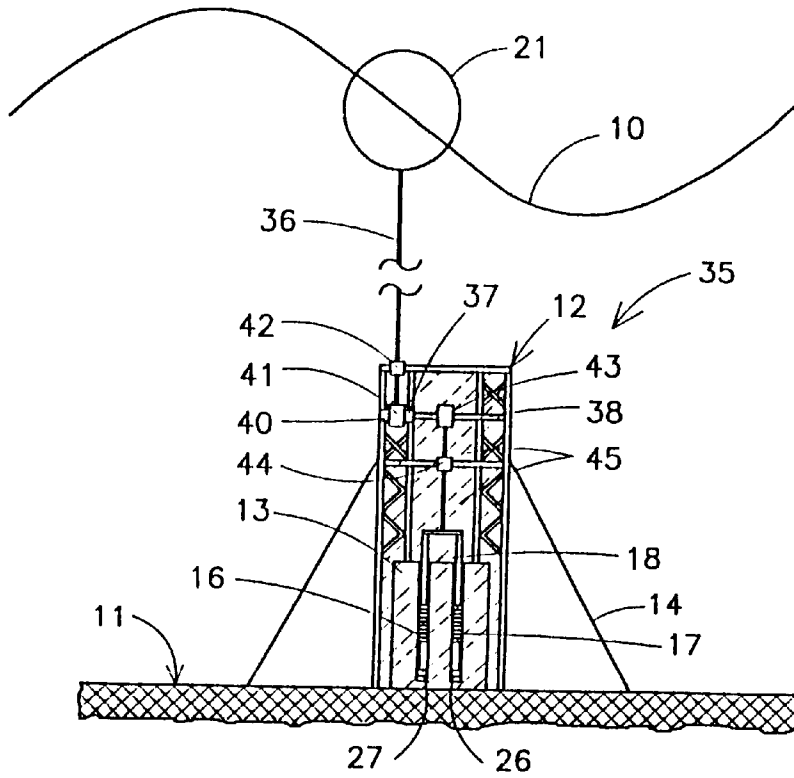


FIG. 4

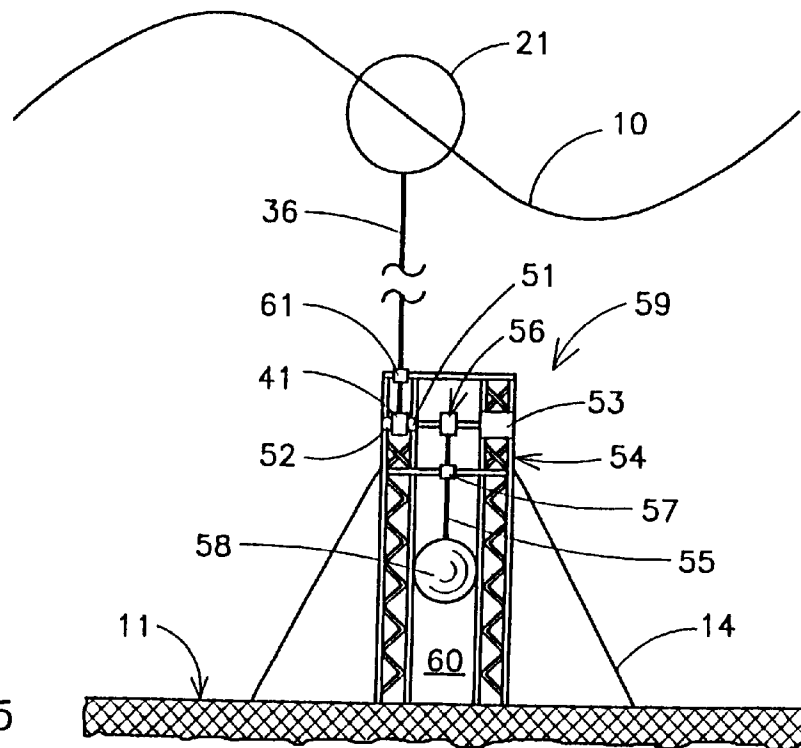
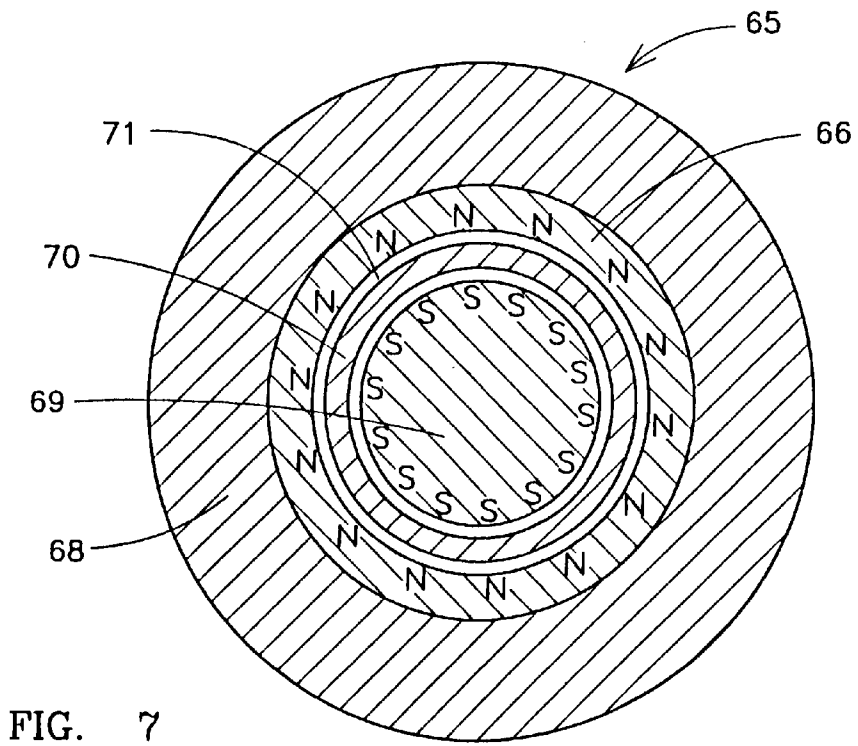
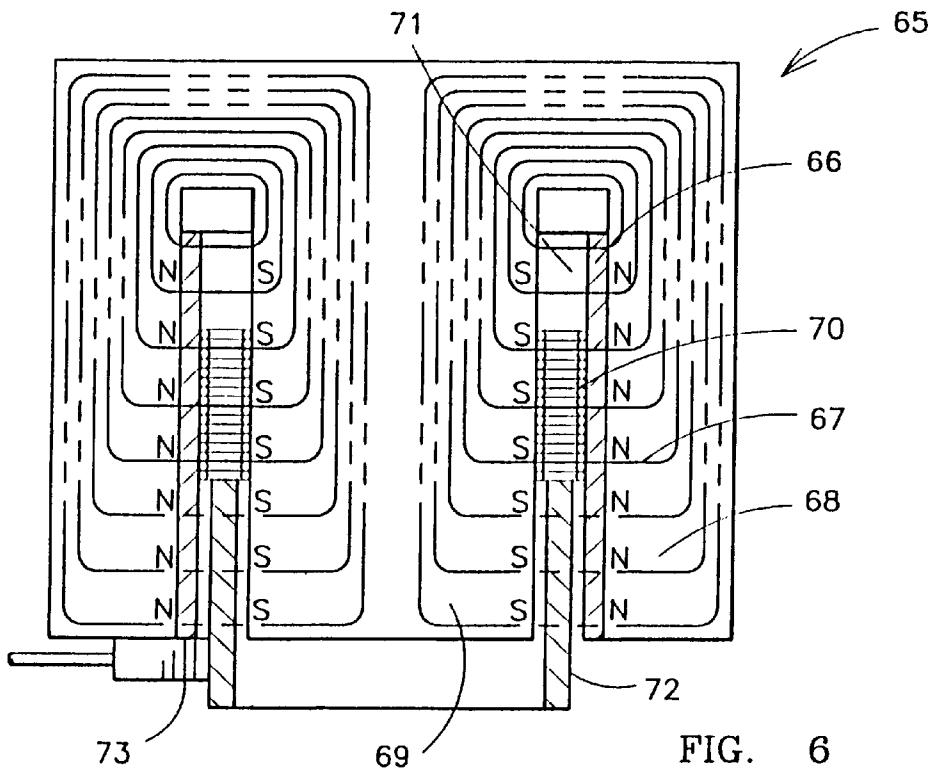


FIG. 5



SUBMERGED RECIPROCATING ELECTRIC GENERATOR

BACKGROUND OF THE INVENTION

The present invention relates to an electrical generator and especially to a submerged reciprocating electric generator which produces electric power responsive to movement of a float riding in an oscillating fluid. This application is a continuation in part of prior U.S. patent application Ser. No. 08/327,593 for RECIPROCATING ELECTRIC GENERATOR filed Oct. 10, 1994, now U.S. Pat. No. 5,696,413.

Open ocean swells contain large amounts of energy which can be utilized as an alternative source of electric power. This type of energy source does not create pollution or depend on finite resources. In the past, a variety of systems have been utilized to generate electric power from ocean swells by converting the motion of the waves to some other form of energy to turn a conventional rotating generator. This type of system can be seen in prior systems which use wave motion to drive a hydraulic pump to force a fluid through a turbine connected to an electrical generator. Other ocean energy systems use wave motion to force air through hollow shafts. One such system uses a by-directional turbine placed in the air shaft to produce electric power. The air is forced up the shaft by the oncoming waves and is sucked back from the shaft as the wave recedes. The air motion in the shaft then turns the turbine which drives the generator. Each of these systems suffers from loss of efficiency in the process of converting wave motion into movement of a fluid and in turn use the fluid motion to turn a turbine which drives a generator.

Prior U.S. patents which can be seen for producing electrical energy from ocean wave motion can be seen in the Rich U.S. Pat. No. 3,546,473, for an Oceanographic Generator which uses two floats, one which follows the displacement of the water surface and another which remains in a substantially stable position independent of the motion of the water and has a permanent magnet and coil attached to the float. An electromotive force is induced in the coil upon the occurrence of a relative motion between the floats. In the Last et al. U.S. Pat. No. 3,696,251, a Method of Generating Electricity and an Electrical Generator derive electrical energy from oscillatory motion, such as in buoys or in vehicles or on animals. The generator has a stator and an armature coupled together by spring means and is effective to generate electrical current when body movement of the generator causes, by inertia effects, relative movement of the armature and stator. In the R. S. Kafka U.S. Pat. No. 3,362,336, a Wave Motion Operated Device is provided in a two component device which uses the wave motion to achieve a pumping action to pump out the bilge of a boat. Another embodiment of the invention is for an electric power generating arrangement in which the wave motion causes the generation of current which can be rectified and thereafter used for recharging the batteries of the boat.

The Hinck III U.S. Pat. No. 3,231,749, shows a Wave Power Generator especially for use in buoys and provides an apparatus for absorbing the energy available in the rocking mode of oscillation by converting it into electrical energy. In the Collard U.S. Pat. No. 4,239,976, a Floating Electric Generator produces electric power from the flow of water using a floating rotor journaled on a non-rotating shaft which is moored in place. The rotor is turned by peripheral vanes engaging the flow of water.

In the Woodbridge prior U.S. Pat. No. 3,783,302, an apparatus and method for converting wave energy into

electrical energy uses floats to move a flexible coil in a magnetic field. In Woodbridge U.S. Pat. No. 4,260,901, a wave operated electrical generator system uses floats to oscillate arcuate permanent magnets into and out of electrical coils.

In contrast, the present invention is directed towards an electric generator adapted to increase the efficiency of a linear moving coil directly moved by a float riding on waves or other oscillation fluids in a manner to convert as much of the potential energy in the wave directly to electrical energy in locations where there is constant wave motion. A permanent magnet core electric generator having a linearly moving coil which is annularly wound on a sleeve moving coaxially in a coaxial bore formed with a center pole flux core in the center of the sleeve and an outer pole flux core on the exterior of the annular bore, both of which can be lined with permanent magnets. The arrangement of the magnets is in such a manner to create a uniform magnetic field of a single magnetic orientation throughout the entire length of the motion of the linearly moving coil.

In addition, an electromagnetic winding mounted in the closed end of the magnetic core, receives a small portion of the electric energy generated by the linearly moving coil. This in turn increases the magnetic field within the coaxial bore, which increases the electrical output of the reciprocating generator to the maximum energy available in the passing ocean swells.

SUMMARY OF THE INVENTION

A submerged reciprocating electric generator is placed below the ocean surface and creates electric power from the surface ocean swells. The Generator coil reciprocates linearly in response to an external force acting on a float by passing ocean swells. A cable connects the float on the ocean surface with the reciprocating coil of the submerged generator. A magnetic field is focussed through the coil as it reciprocates, creating an electromotive force in the coil. The generator includes a base formed on the ocean floor supporting a magnetic core having a generator coil movably mounted therein and connected to a float with a cable passing through cable alignment bearings. Electromagnetic windings are mounted at the closed end of the generator magnetic flux core.

BRIEF DESCRIPTION OF THE DRAWINGS

Other objects, features, and advantages of the present invention will be apparent from the written description and the drawings in which:

FIG. 1 is a sectional view of a submerged reciprocating electric generator in accordance with the present invention mounted to the ocean floor under ocean swells;

FIG. 2 is a sectional view of the bottom of the electric generator of FIG. 1;

FIG. 3 is a sectional view of the electrical generator of FIGS. 1 and 2 in a watertight housing;

FIG. 4 is a sectional view of an alternate embodiment of the electric generator of FIGS. 1-3;

FIG. 5 is a sectional view of another embodiment of an electric generator of FIGS. 1 through 4;

FIG. 6 is a sectional view of a reciprocating generator showing the magnetic poles of the permanent magnets; and

FIG. 7 is a sectional view through a reciprocating generator.

DESCRIPTION OF THE PREFERRED EMBODIMENT

Referring to the drawings, FIGS. 1 through 3, an electrical generator for generating electric power from ocean swells in

a body of water **10** having a floor **11**. A frame structure **12** has a magnetic core **13** supported thereon to the ocean bottom **11**. The frame structure **12** has a plurality of support cables **14** anchoring the top **22** of the frame structure **12** to the ocean floor **11**. The magnetic core **13** has an annular elongated bore **16** extending thereinto and has an annular generator coil **17** mounted on a coil support tube **18** slidably mounted in the elongated annular bore **16**. A cable **20** is attached to the top of the generator coil support tube **18** at one end and attached to a float **21** at the other end which float **21** rides in the swell of the ocean surface **10**. A first cable alignment bearing **22** guides the cable **20** therethrough while a cable alignment bearing **25** further guides the cable into the base structure **12** to assist in maintaining the generator coil **17** sliding back and forth within the annular bore **16** in alignment with the bore. The bore **16** has an electromagnetic winding **26** mounted in the closed end **27** of the bore **16** while the open end **28** of the bore **16** is opened for the coil support tube **28** to slide into and out of the bore. A plurality of permanent magnets **30** are mounted in the annular bore **16** so that when the electrical coil **17** moves back and forth within the bore **16** within the magnetic field generated by the permanent magnets, electric power is produced within the coils **17**. A small portion of electric energy generated in the generator coil **17** is passed through the coils **26** at the closed end **27** of the annular bore **16**. This, in turn, generates an electromagnetic field within the magnetic core **13** which thereby increases the magnetic field generated by the permanent magnet **30** to increase the initial magnetic field in the generator air gap created by the permanent magnets. The increase in the magnetic field increases the efficiency in the power output of the linear generator. An approaching ocean swell raises the float **21** and pulls the generator coil **17** linearly upward through the magnetic field created by the permanent magnets **30** and by the electromagnet **26**. The generator coil support tube **18** and the coil are weighted so that gravity pulls the coil back down through the magnetic field as the ocean swell passes the float **21**. Cable alignment bearings **22** and **25** ensure that the cable acts on the generator coil in a purely vertical motion in the configuration shown. In FIGS. 1 and 2, the reciprocating generator is not watertight and water can flow in and out of the generator with each stroke of the generator coil. However, the flow of water in and out of the generator causes increased resistance to the linear motion of the coil. FIG. 3 illustrates the reciprocating generator of FIGS. 1 and 2 in which the reciprocating generator has been enclosed in a watertight housing **31**. A watertight linear bearing **25** provides a seal where the cable enters the housing **31** formed around the structural frame **12**. The watertight housing allows the generator coil to move freely up and down with the motion of the float **21** at the surface of the ocean **10**. The linear bearing seal results in some resistance against the motion of the generator coil and float but this is made up by the increased efficiency of the movement of the generator coil **17** within the annular bore **16**.

Turning to FIG. 4, a submerged reciprocating generator **35** is illustrated having a rotary bearing configuration. A submerged framework is attached to the floor **11** of the ocean or other body of oscillating fluid **10** and has the float **21** connected to a first flexible cable **36**. The framework **12** has a watertight housing **31** and includes the magnetic core **13** having the annular generator coil **17** riding therein in the same manner as in FIGS. 1 through 3. An electromagnetic winding **26** is mounted at the closed end of the magnetic core **13** in the same manner as in FIGS. 1 through 3. Coil **17** is wrapped on an annular coil support tube **18**. This embodi-

ment has a rotary shaft **37** riding in bearings **38** and **40** and has a float cable drum **41** mounted thereon with the float cable **36** winding around the cable drum **41**. The flexible cable **36** passes through a cable alignment bearing **42**. As the float **21** moves up and down in the swells of the oscillating water **10**, the cable **36** moves up and down and pulls the cable wrapped on the drum **41** up and down to rotate the shaft **37** which, in turn, rotates the coil cable drum **43** having the coiled cable **44** wrapped therearound on one end and extending through the bearing **44** and being attached to the generator coil support tube **18** at the other end of the cable. The coil **17** and tube **18** provide the counterweight for rotating the cable **45** on the drum **43** while the float **21** pulling and releasing the cable **36** rotates the shaft **37** by the cable wrapping and unwrapping on the drum **41**. The support cables **14** hold the basic generator unit to the floor **11**.

Turning to FIG. 5, another embodiment of a submerged generator is illustrated having a submerged generator unit **50** having a float **21** riding on the oscillating fluid **10** with the generator unit **50** mounted to the floor **11** of the body of water **10**. The generator unit **50** is supported with the support cables **14**. In this embodiment, a first cable **36** rides on a drum **41** as it wraps and unwraps on the drum **41** to rotate the shaft **51** mounted between the bearings **52** and a rotary electric generator **53** mounted to the framework **54** of the generator **50**. The second flexible cable **55** wraps on the coil cable drum **56** and is held in alignment with the alignment bearing **57**. The cable **55** supports a counterweight **58** which rides within the guiding framework **60**. Thus, as the swells in the ocean **10** raises the float **21**, it unwraps the cable **36** from the drum **41** while wrapping the cable **55** from the drum **56** supporting the counterweight **58**. Similarly, when the float **21** falls, the action is reversed to thereby provide a rotation in one direction and then in the other direction of the shaft **51** which can be connected to the shaft of rotary electric generator **53** which generates electricity in either direction of rotation of the shaft **51**. Cable **36** is guided through a guide bearing **61** connected to the framework.

As seen in FIG. 6, a generator **65** has the permanent magnets **66** mounted to show their north and south poles and the magnetic flux line **67** formed in the outer pole flux core **68** and in the center pole flux core **69** as the annular wound generator coil **70** moves linearly in the annular bore **18** adjacent the magnets **66**. The magnets **66** are mounted around the exterior of the annular bore **71**. The wound coil **70** is mounted on a coil support sleeve **72** which may be the float drive tube which in turn is connected to the float. As shown in FIG. 6, power generated in the moving coils is transmitted through linear electrical bushings and brushes **73**. The bushings are connected through to the coils.

In FIG. 7, a cross section of the generator **65** shows the outer pole flux core **68** and the center pole flux core **69** with the generator coil **70** mounted for linear action in the annular bore **71** adjacent the permanent magnets **66** mounted around the inside of the bore **71** to the outer pole flux core **68**. The magnets can also be mounted to the exterior of the center pole flux core **69** along the inside of the annular bore **71**.

It should be clear at this time that a submerged reciprocating linear generator has been provided for use below the ocean surface to create electric power from surface ocean swells. The generator coil reciprocates linearly in response to an external force acting on the float by the passing ocean swell while the cable connects the float on the ocean surface with the reciprocating coil of the submerged generator. A magnetic field is focused through the coil as it reciprocates, creating an electro-motive force in the coil. A small portion of

5

the electric power created in the generator coil moving within a magnetic field created with the permanent magnets is passed through the electromagnetic winding in the closed end of the linear bore of the electric generator and used to increase the magnetic field in the magnetic core and hence the power output of the generator. It should be clear at this time, however, that the present invention is not to be considered limited to the forms shown which are to be considered illustrative rather than restrictive.

I claim:

1. A reciprocating electric generator for use in an oscillating fluid comprising:

a magnetic core having an elongated annular bore extending therinto and having a bore open end and a bore closed end, said magnetic core being adapted to be submerged in an oscillating fluid;

at least one elongated permanent magnet mounted in said magnetic core along said elongated annular bore;

a generator coil formed on a coil support sleeve and slidably mounted in said annular bore;

an electromagnetic winding mounted in said magnetic core annular bore closed end and being electrically coupled to said generator coil to thereby generate an electromagnetic field within said core when said generator coil is moving within said permanent magnet magnetic field thereby increasing the magnetic field in said magnetic core;

a float member attached to said generator coil for moving said generator coil responsive to movement of said float on an oscillating fluid, whereby said electric generator can produce electric power responsive to movement of a float when said float is positioned to float on an oscillating fluid.

2. A reciprocating electric generator for use in an oscillating fluid in accordance with claim 1 including a plurality of permanent magnets mounted in said magnetic core annular bore.

3. A reciprocating electric generator for use in an oscillating fluid in accordance with claim 2 including a flexible cable connecting said float to said generator coil.

6

4. A reciprocating electric generator for use in an oscillating fluid in accordance with claim 3 including a frame structure attached to said magnetic core for anchoring said magnetic core submerged in said oscillating fluid.

5. A reciprocating electric generator for use in an oscillating fluid in accordance with claim 4 in which said frame structure has a cable alignment bearing attached thereto for guiding said flexible cable between said magnetic core and said float.

6. A reciprocating electric generator for use in an oscillating fluid in accordance with claim 5 in which said frame structure has a pair of cable alignment bearings.

7. A reciprocating electric generator for use in an oscillating fluid in accordance with claim 6 in which said frame structure has a plurality of support cables attaching said frame structure to a bottom surface beneath said oscillating fluid.

8. A reciprocating electric generator for use in an oscillating fluid in accordance with claim 4 in which said frame structure has a float cable drum rotatably attached thereto and has a flexible cable connected to said float and wrapped around said cable drum and a second flexible cable attached to said generator coil and wrapped around said rotatable drum whereby movement of said float rotates said float cable drum to raise and lower said generator coil within the magnetic field.

9. A reciprocating electric generator for use in an oscillating fluid in accordance with claim 8 in which said frame structure has a first cable alignment bearing attached thereto and said second flexible cable passing therethrough.

10. A reciprocating electric generator for use in an oscillating fluid in accordance with claim 9 in which said frame structure has a second cable alignment bearing attached thereto and said first flexible cable passing therethrough.

11. A reciprocating electric generator for use in an oscillating fluid in accordance with claim 9 in which said float cable drum is rotatably mounted in water tight bearing attached to said frame structure.

* * * * *